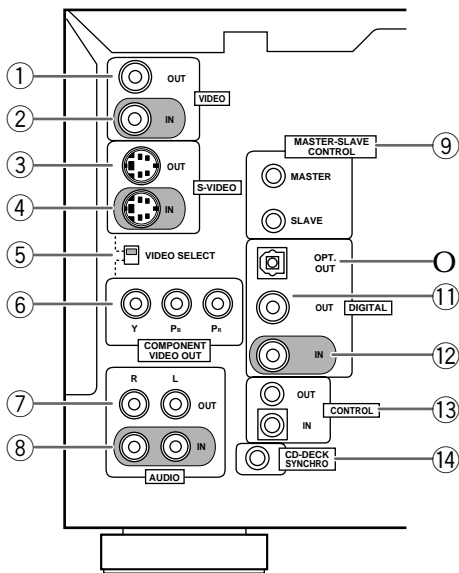


Rear Panel: DV-F727



① VIDEO OUT jack

Connect the VIDEO OUT jack to the video input on a TV or monitor or to an AV component with video input capability. When using this jack, be sure to set VIDEO SELECT to the top position.

② VIDEO IN jack

Connect the VIDEO IN jack to the video output of another DV-F727 player or another component with video output capability.

③ S-VIDEO OUT jack

If your TV or monitor has an S-video input, clear picture reproduction is possible by connecting the S-VIDEO OUT jack to your TV or monitor using a commercially available S-video cable. When using this jack, be sure to set VIDEO SELECT to the top position.

④ S-VIDEO IN jack

Connect the S-VIDEO IN jack to another DV-F727 player or component with S-video output capability.

⑤ VIDEO SELECT switch

Use to set which output is used to output the video signals. Set to the top position for composite video and S-video output and to the bottom position for component video output.

⑥ COMPONENT VIDEO OUT jacks

If your TV, projection monitor, projector, or similar component has component video inputs, you can produce a high quality picture by connecting to the component video outputs on this unit. When using these jacks, be sure to set VIDEO SELECT to the bottom position.

⑦ AUDIO OUT jacks

Connect to the stereo audio inputs of a TV or stereo AV component. If you are connecting to an AV component that has both digital and analog input jacks for DVD player connection, it may be beneficial to make both connections.

⑧ AUDIO IN jacks

Connect to the analog audio outputs of another DV-F727 or component with audio output capability.

⑨ MASTER-SLAVE CONTROL jacks

Connect two DV-F727 players for singular control of both players and a total of 601 discs. Connect the MASTER jack on the player to be used as the "Master" to the SLAVE jack of a second "Slave" player using the supplied Master-Slave control cord. Do not attempt to make connections to other components using this jack.

⑩ DIGITAL OPT. OUT (optical) jack

Connect the DIGITAL OPT. OUT (optical) to the digital optical input of an AV component with a built-in decoder, etc. to output the digital audio signal recorded on discs.


⑪ DIGITAL OUT (coaxial) jack

Connect the DIGITAL OUT (coaxial) to the digital coaxial input of an AV component to output the digital audio signal recorded on discs.

⑫ DIGITAL IN (coaxial) jack

Connect the DIGITAL IN (coaxial) jack of another DV-F727 player or another component with digital output (coaxial) capability.

⑬ CONTROL jacks

Use to connect this player to another component bearing the Pioneer  mark. This lets you control this unit as though it were a component in a system. Player operations are then performed by pointing the remote control at the component that the player is connected to.

⑭ CD-DECK SYNCHRO jack

If you have a Pioneer cassette deck that has the CD-Deck synchro function, connect the CD-DECK SYNCHRO jacks on this unit to the identical jack on the cassette deck using a commercially available cord with a mini plug (2.5 mm dia. with no resistance).