

INSTALLATION INSTRUCTIONS

PWM-6111 FLAT PLASMA MOUNT

STEP 1 - Wall Mount

Select the appropriate wall where the display will be located. Locate the center of the studs found behind the wall. Level and mark with a pencil the four (4) 16" stud center mounting holes found on the wall mount. Drill 1/4" pilot holes into the marked wall. Then secure the wall mount with the four (4) 5/16" lag bolts and washers (supplied).

See Figure 1

A- Structure Wall
B- Mounting Studs
C- Flat Washers 5/16"
D- Mounting Plate With Tabs
E- Lag Bolts

STEP 2 - Plasma Mount

Place the Plasma display screen side down on a flat surface. If necessary use soft material (form, cloth, etc.) to protect against scratching. Locate the six (6) 8mm mounting points located on the back of the display. Secure the mounting bracket to the display and secure by using the six (6) 8mm x 10mm Phillip screws (supplied). Note: Tighten all screws by hand first then use a screwdriver to finish.

See Figure 2

Do not over tighten

F- 8mmx10mm Phillip Screws
G- Mounting Bracket
H- Plasma Display
I. 6mmX12mm Jam Nut

STEP 3 - Mount Plasma on Wall

Before installing, become familiar with the way the Plasma mount attaches to the wall mount. Raise the display (2 people required) and place it against the wall mount such that all four (4) flanges align. Carefully slide the Plasma down then secure it by slightly shifting to the left.

See Figure 3

CAUTION!

Do not over tighten the 8mm mounting screws.

Note: For ceiling or floor mobile carts mounting, The two (2) 6mmx12mm slotted jam screws (supplied) may be used for additional security.

The mounting hole is located in the back of the plate and allows the pressure against the receiving tabs.

See Figure 4

Figure 1

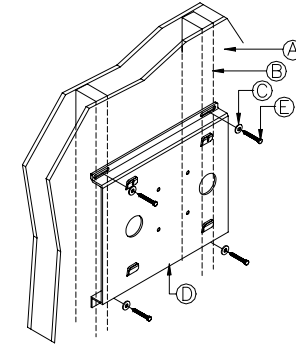


Figure 2

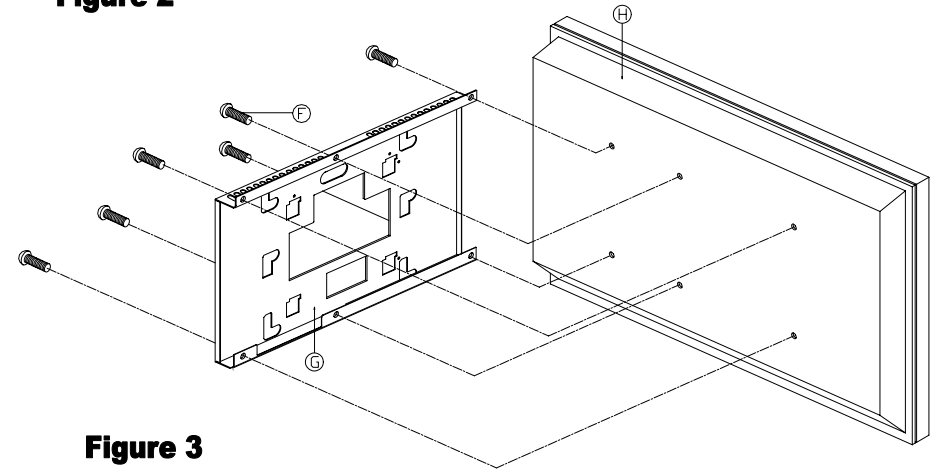


Figure 3

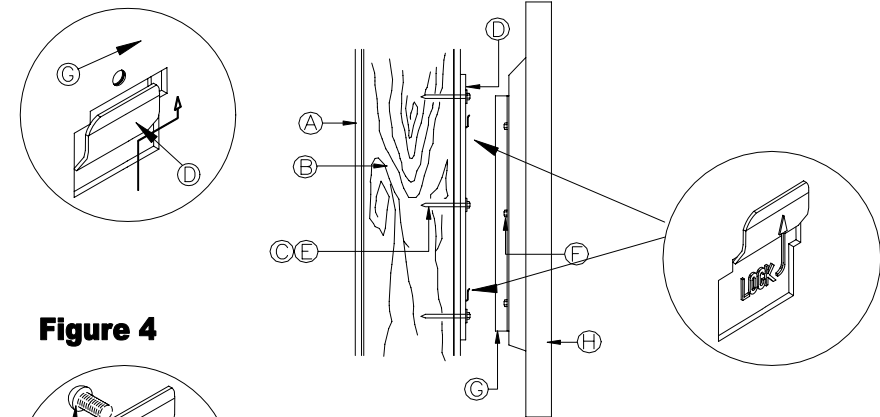
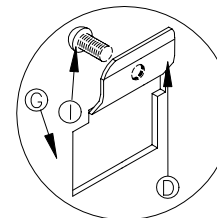


Figure 4



JAM SCREW

WARNING!

The wall should be capable of supporting a weight of at least five (5) times the plasma displays. If not, the ceiling must be reinforced. Proper installation procedure by qualified personnel as outlined in the installation instructions must be adhered to. Failure to do so could result in serious personal injury.

WALL MOUNT INSTALLATION INSTRUCTIONS

PWM-6111

Pioneer *sound.vision.soul*

For further information or ordering assistance contact us at the address shown on the front of this page.



Pioneer *sound.vision.soul*

For Service and Parts Contact

Progressive Marketing Products, Inc.

2980-A Enterprise Street, Brea Ca, 92821
Ph (800) 368-9700 Fax (800)832-4888
E-mail: mounts@pmpi.com Web Site: www.mounts.com